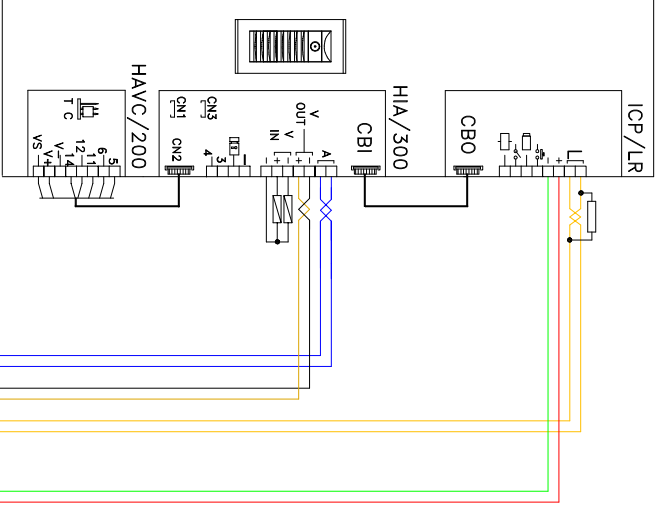
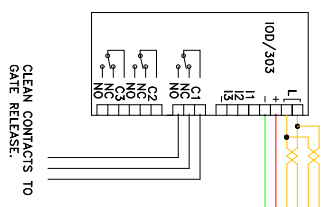


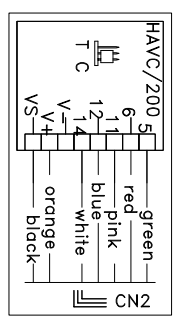
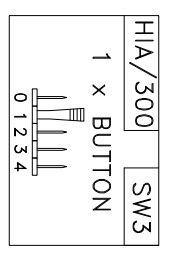
VIDEO  
ENTRY PANEL



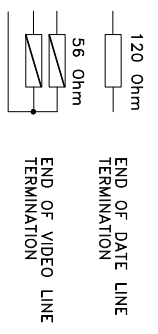
SEE THE HIA/300 INSTRUCTIONS FOR  
COLOUR CODE TO HAVC/200 TERMINALS



CLEAN CONTACTS TO  
GATE RELEASE.



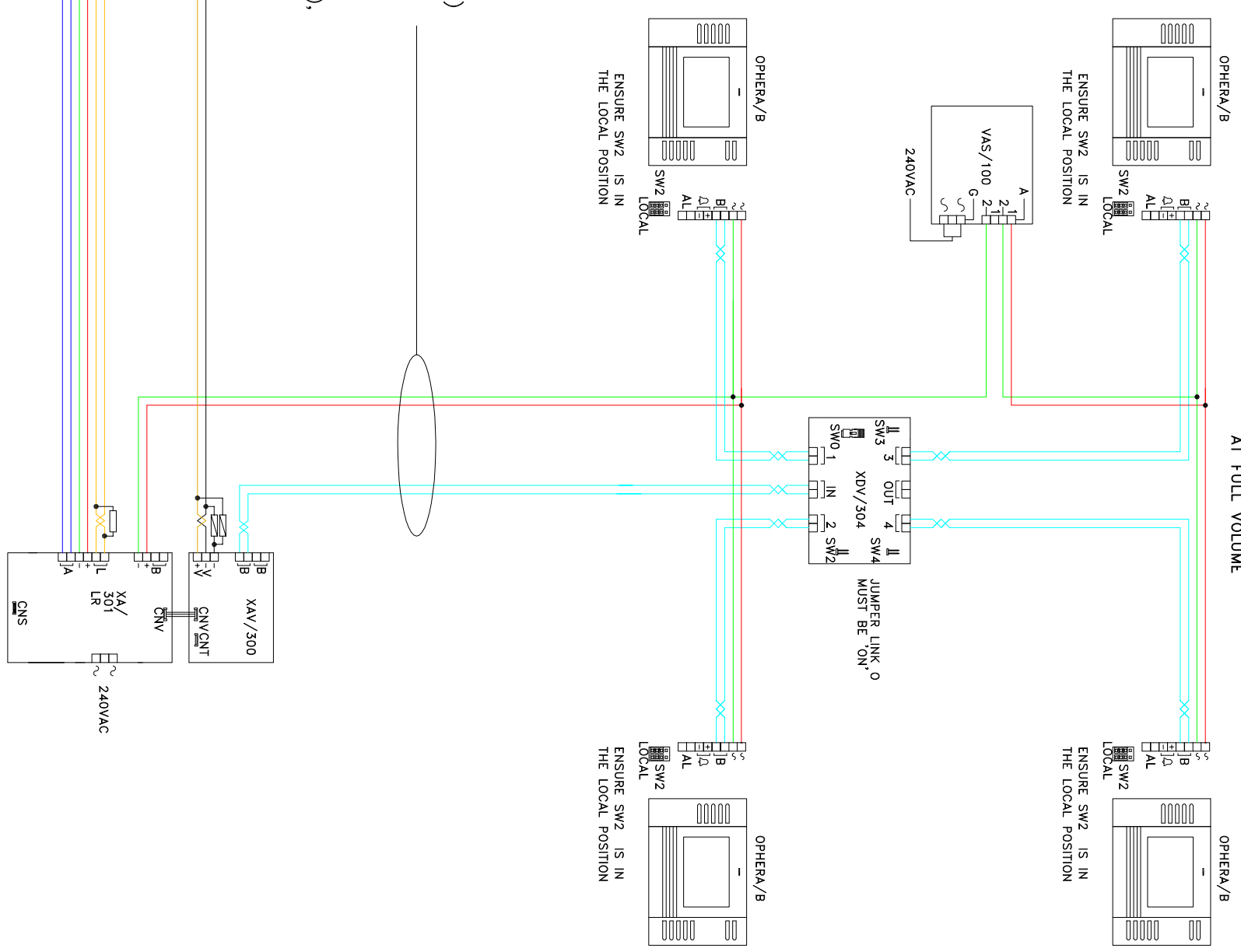
1. IT IS VITAL THAT THE CLOSING RESISTANCES SHOWN ON THE DRAWING AS 56R & 120R ARE CONNECTED AS INDICATED.
2. THE TWISTED PAIRS MUST NOT BE UNTWISTED TO SIMPLIFY INSERTION INTO TERMINALS. KEEP THEM TWISTED TOGETHER ALL THE WAY INTO THE TERMINALS



IN THIS CONFIGURATION SHOWN

PLEASE NOTE THE MAXIMUM DISTANCE BETWEEN ENTRY PANEL AND XA/300 CANNOT EXCEED (150M USING 4 PAIR CAT5 + 2 CORES @ 1.0MMSQ)  
PLEASE NOTE THE MAXIMUM DISTANCE BETWEEN XA/300 AND FURTHEST MONITOR CANNOT EXCEED (100M USING 4 PAIR CAT5 + 2 CORES @ 1.0MMSQ),

NOTE: ONLY 2 RECEIVERS CAN RING AT FULL VOLUME



BPT (UK) LTD. HERTS, ENGLAND	PREPARED FOR INSTALLER INFORMATION	DATE: 25/03/08	DRAWN:RC
DRAWING TITLE: 1 X 1 BUTTON TARGHA VIDEO ENTRY PANEL & 4 OPHERA MONITORS		REVISED:	DRAWING No: C-111P4C